

# PRODUCT INFORMATION PACKET

Model No: 5K49MN4111

Catalog No: K424

1 HP General Purpose Motor, 3 phase, 1800 RPM, 575 V, 56 Frame, TEFC  
Three Phase TEFC Motors



Regal and Marathon are trademarks of Regal Beloit Corporation or one of its affiliated companies.  
©2019 Regal Beloit Corporation, All Rights Reserved. MC017097E

REGAL



### Nameplate Specifications

Output HP	<b>1 Hp</b>	Output KW	<b>0.75 kW</b>
Frequency	<b>60 Hz</b>	Voltage	<b>575 V</b>
Current	<b>1.7 A</b>	Speed	<b>1725 rpm</b>
Service Factor	<b>1.25</b>	Phase	<b>3</b>
Efficiency	<b>0 %</b>	Power Factor	<b>0</b>
Duty	<b>Continuous</b>	Insulation Class	<b>B</b>
Design Code	<b>B</b>	KVA Code	<b>L</b>
Frame	<b>56</b>	Enclosure	<b>Totally Enclosed Fan Cooled</b>
Thermal Protection	<b>N/R</b>	Ambient Temperature	<b>40 °C</b>
Drive End Bearing Size	<b>6203</b>	Opp Drive End Bearing Size	<b>6203</b>
UL	<b>Recognized</b>	CSA	<b>Yes</b>
CE	<b>N</b>		

### Technical Specifications

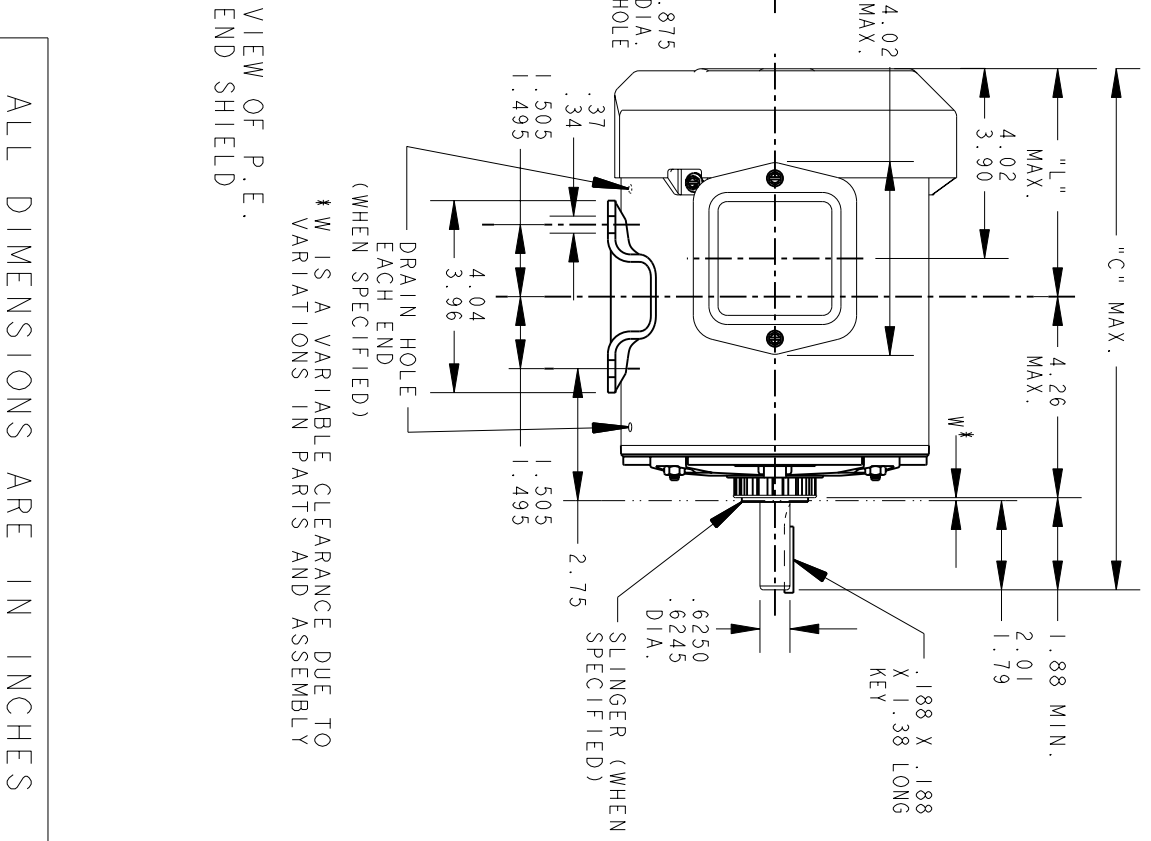
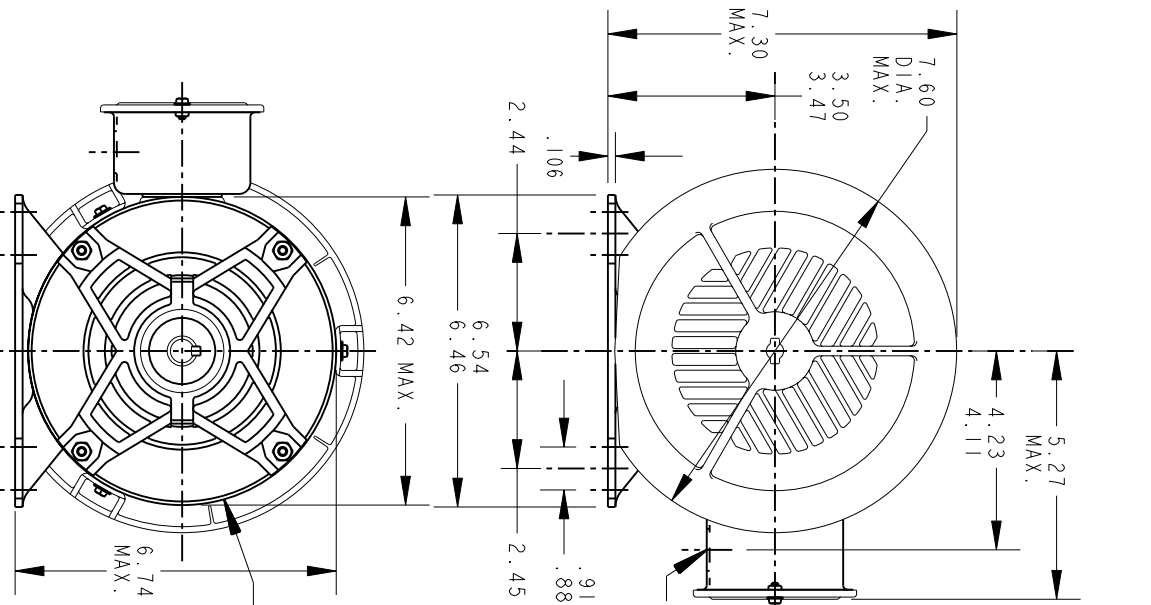
Electrical Type	<b>Three Phase</b>	Starting Method	<b>N/R</b>
Poles	<b>4</b>	Rotation	<b>Counterclockwise/Clockwise</b>
Mounting	<b>Rigid Base</b>	Motor Orientation	<b>ANY</b>
Drive End Bearing	<b>BALL</b>	Opp Drive End Bearing	<b>BALL</b>
Frame Material	<b>Rolled Steel</b>	Overall Length	<b>11.43 in</b>
Frame Length	<b>6.15 in</b>	Shaft Extension	<b>.625 X 1.88 - .188 X .188 KEY in</b>

This is an uncontrolled document once printed or downloaded and is subject to change without notice. Date Created:01/11/2019

THIRD ANGLE PROJECTION



REVISIONS		DESCRIPTION	DATE	APPROVED
3		ADDED PART #5.	07/16/98	M.D. PAPE
4		CHG TO RBC FORMAT PER ISO5-11777	03/03/06	SUDHA



VIEW OF P.E. END SHIELD

ALL DIMENSIONS ARE IN INCHES

5	4	3	2	1	P
K	K	K	K	K	TYPE
49	49	46	49	42	GE SIZE
56	56	56	56	56	NEMA FR.
12.43	10.73	11.83	11.43	11.00	"C"
6.28	4.47	5.68	5.28	4.85	"L"
MIN. SHELL					

SIGNATURES		DATE
MODEL	M.D. PAPE	05/19/92
DETAIL		
CHECKED		
ENGRG		
MFG		
QUALITY		
ISSUED	M.D. PAPE	05/19/92
APPLIED PRACTICES		
DIMENSIONS ARE IN INCHES		
MATERIAL	SOLID MODEL: 52A107797	



REGAL-BELOTT CORPORATION

OUTLINE

GENERAL PURPOSE MOTOR TEFC - BALL BEARING - WELDED BASE FWF: 5K42HN4005 & 5K49KN4006

52A107797

SCALE: 0.250	REF. No.:	SHEET 1 of 1
--------------	-----------	--------------

REVISIONS

This document is the property of REGAL-BELOIT CORPORATION ("RBC") including its subsidiaries and divisions and contains proprietary information of RBC. This document is loaned on the express condition that neither the recipient nor any other person shall be permitted to disclose or disseminate the contents of this document to any other person without the prior written approval of RBC. This document shall be returned to RBC upon its request. This document may be subject to certain restrictions under U.S. export control laws and regulations.

REV.	DESCRIPTION	DATE	APPROVED
1	CHG TO RBC FORMAT PER IS05-1777	06/15/06	MADHU
2	RENAMED 113A930_FIG_1 TO 113A930FIG1 PER IS07-0972	05/08/07	MADHU

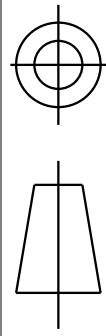
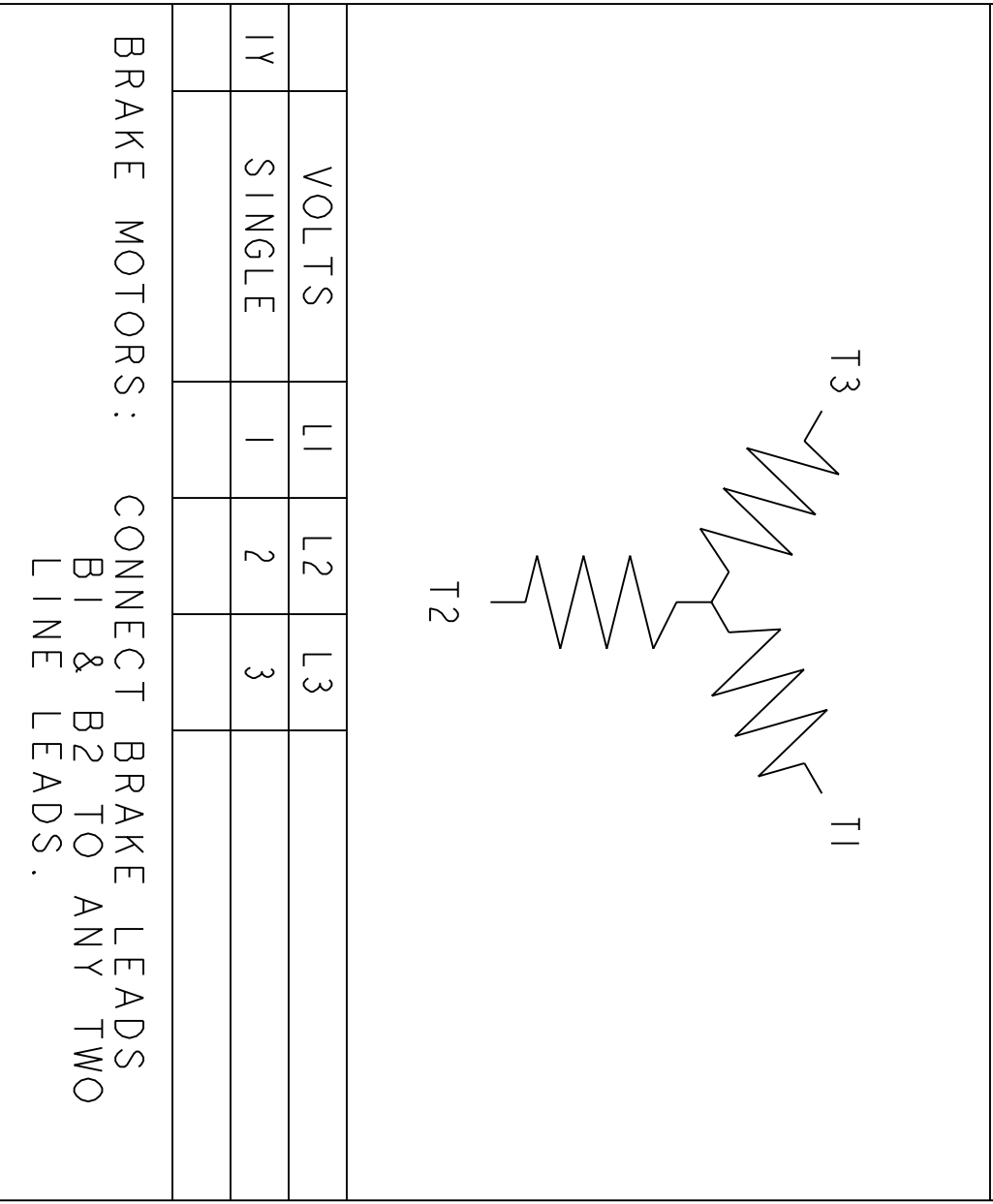


FIG. 1 3 PHASE



	VOLTS	L1	L2	L3
IY	SINGLE	1	2	3

BRAKE MOTORS: CONNECT BRAKE LEADS B1 & B2 TO ANY TWO LINE LEADS.

FOR ADDITIONAL INFO REFER TO:		SIGNATURES		DATE
APPLIED PRACTICES	MODEL	M.D. PAPE	02/23/03	
DIMENSIONS ARE IN INCHES				
TOLERANCE ON:		DETAIL	CHECKED	
1 PL DECIMALS ± 0.1		ENGRG	ENG RG	
2 PL DECIMALS ± 0.02		MFG	QUALITY	
3 PL DECIMALS ± 0.005		ISSUED	M.D. PAPE	02/23/03
ANGLES ± 1.0		FINISH	SOLID MODEL: 113A930FIG1	
MATERIAL		TITLE		
		REGAL-BELOIT CORPORATION		
		CONNECTION DIAGRAM		
		SIZE	DRAWING	REV
		A	113A930FIG1	2
		SCALE: 1.000	REF. No.:	SHEET 1 of 1